

CATEGORY	DESCRIPTION	P/N #
CONNECTOR	RJ45 10/100Mbps with LED	MJ4L-B211-PLX1T001-1

REV.	ECN NO	DESCRIPTION	REVISED	DATE
A01		整理図面	XSY	2015.05.02
A02		整理図面	XSY	2016.11.12

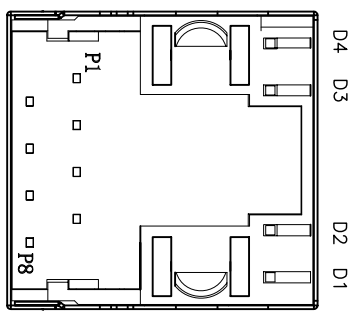
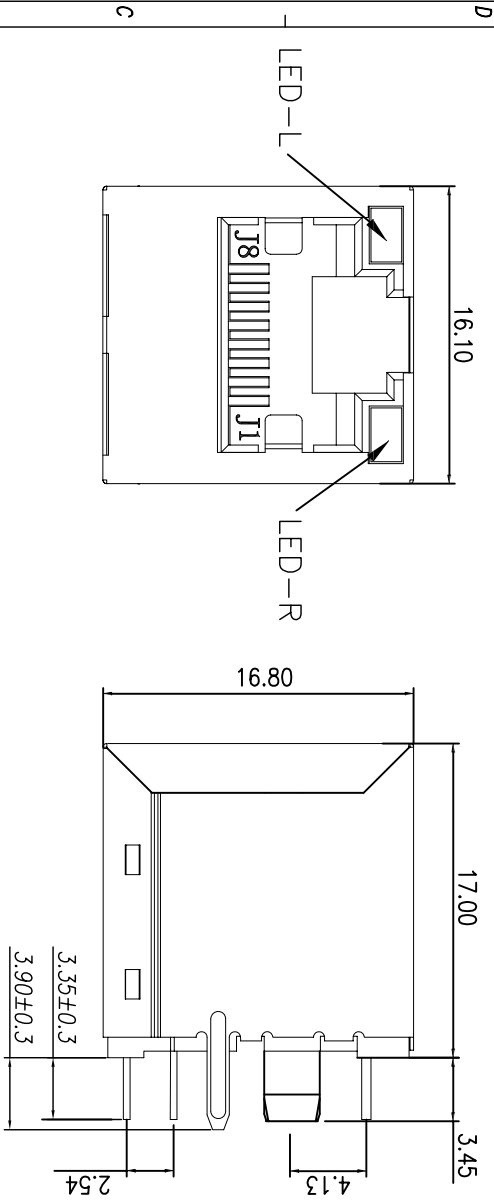
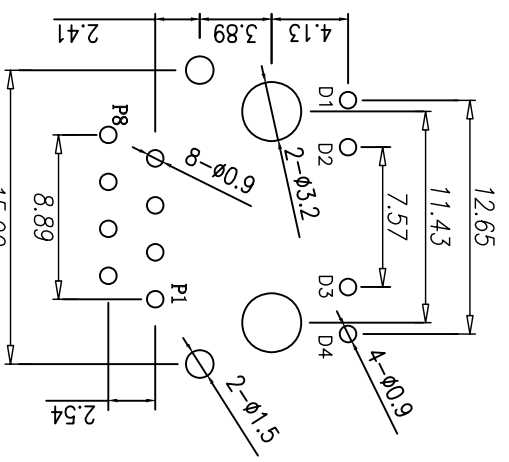
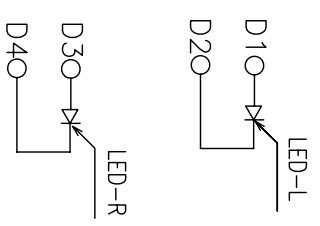
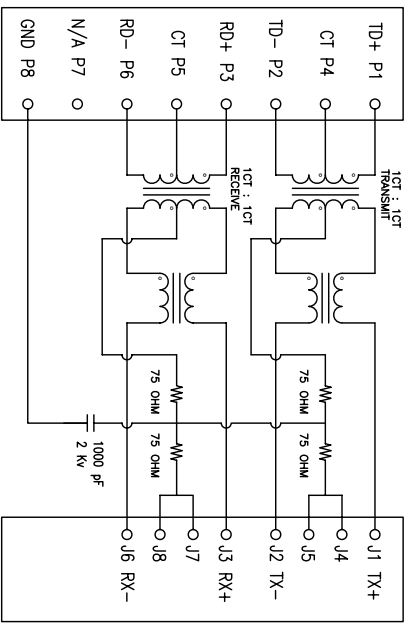


TABLE 1

X	LED-L	LED-R
1	GREEN	YELLOW
2	YELLOW	GREEN

ELECTRICAL SPECIFICATIONS @ 25°C/+/-5°C
 Insertion Loss: 1-100MHZ -1.0dB MAX
 Return Loss: 1-30MHZ -16.0dB MIN
 30-60MHZ -14.0dB MIN
 60-80MHZ -10.0dB MIN
 Cross Talk: 1-30MHZ -40.0dB MIN
 30-60MHZ -35.0dB MIN
 60-80MHZ -30.0dB MIN
 Turn Ratio: 1CT:1CT+/-3%
 CMR: 1-100MHZ -35.0dB MIN
 HI-Pot: 1000V AC 2S 1mA
 OCL: 350uH MIN @ 100KHZ 100mV 8mA DC
 Operating temperature range: 0°C to +70°C



g	LED-R	1	See Table1	Tin PALTING	
f	LED-L	1	See Table1	Tin PALTING	
e	SHELL	1	BRASS	Ni PALTING	
d	SOLDER TERMINAL	8	BRASS	Tin PALTING	
c	CONTACT TERMINAL	8	PHOSPHOR BRONZE	Au 6u" PALTING	
b	COVER	1	PBT UL94V-0	BLACK	
a	HOUSING	1	PBT UL94V-0	BLACK	
NO.	PART NAME	QTY	MATERIAL	PLATING & COLOR	Remark

UNLESS OTHERWISE SPECIFIED TOLERANCES

DECIMALS:	ANGLES:
X : ±0.5	X : ±2°
XX : ±0.3	XX : ±1°
XXX : ±0.2	

東莞市合陵電子有限公司
 Dongguan Heling Electronic Co.,LTD
 Connector

SCALE: 1/1 UNIT: mm DWG.NO:
 SIZE: A3 PAGE: 1 OF 1 REV: A02
 APPROVED BY: _____ CHECKED BY: _____ PREPARED BY: _____
 DICK XSY XSY

CUSTOMER COPY